

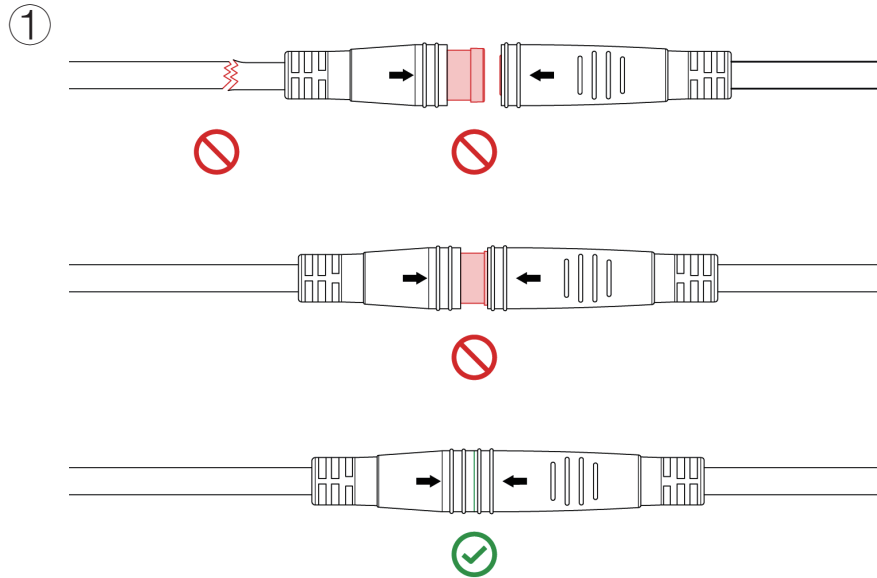
The logo for ANANDA, featuring the word "ANANDA" in a bold, italicized, green sans-serif font.

Help Manual

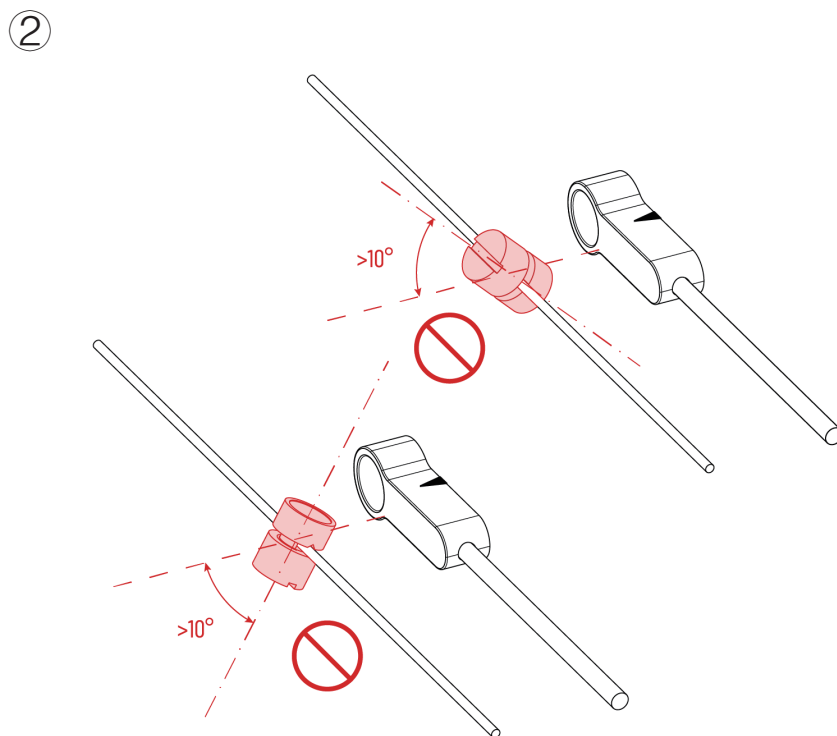
Speed Sensor

The content of this information is subject to change without notice

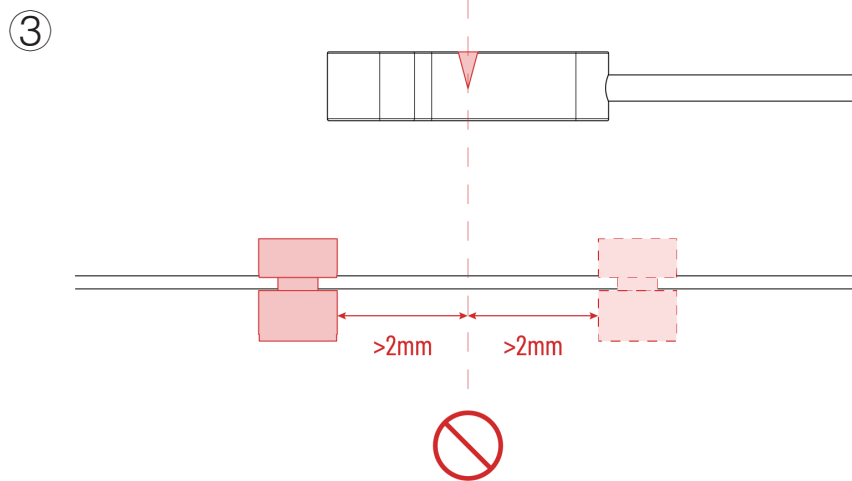
1. Check the harness for damage and the connector for loosening or falling.



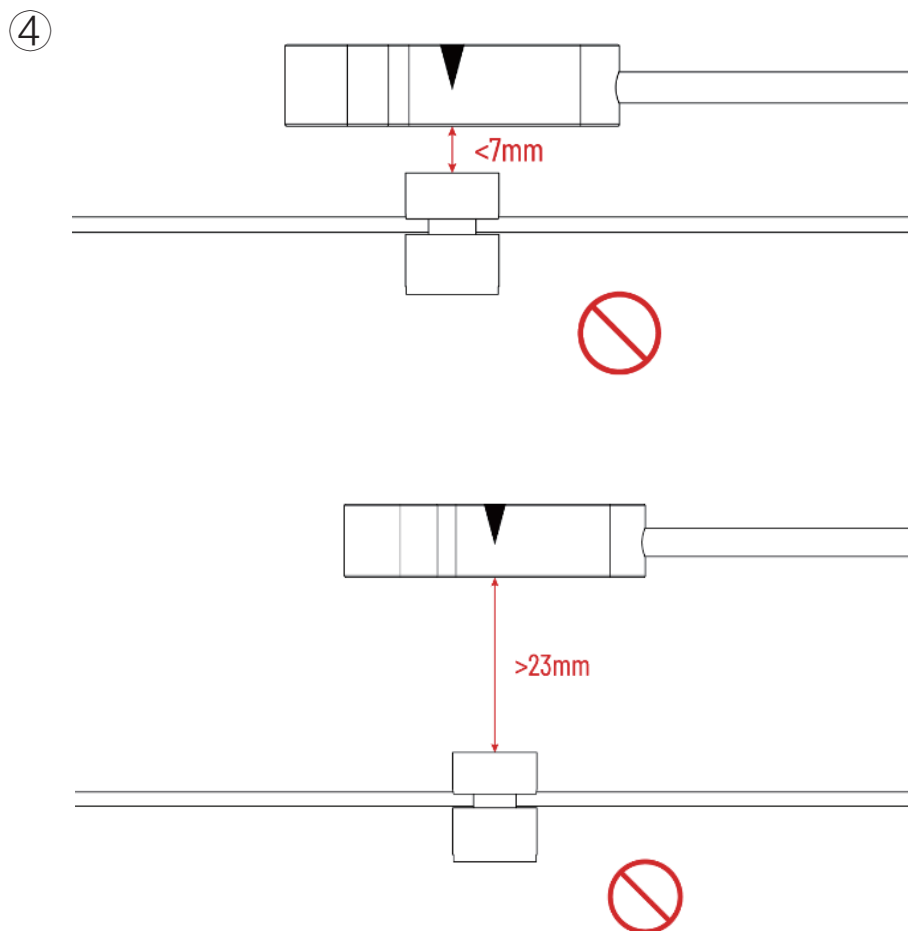
2. Check whether the speed measuring magnet is loose on the spokes.



3. Check whether the speed measuring magnet is aligned with the “△” mark of the speed sensor.

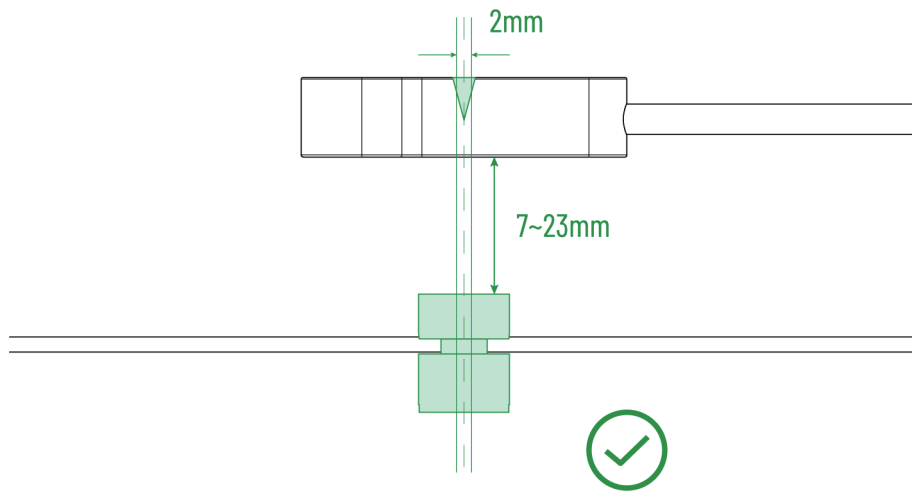


4. Check whether the distance between the speed measuring magnet and speed sensor is 7-23mm.



- Adjust the speed measuring magnet to meet the above inspection requirements.

⑤



- If the problem is still not resolved, replace the speed sensor.